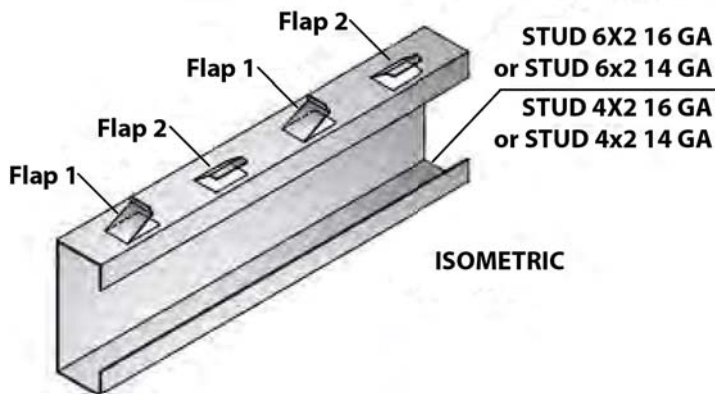
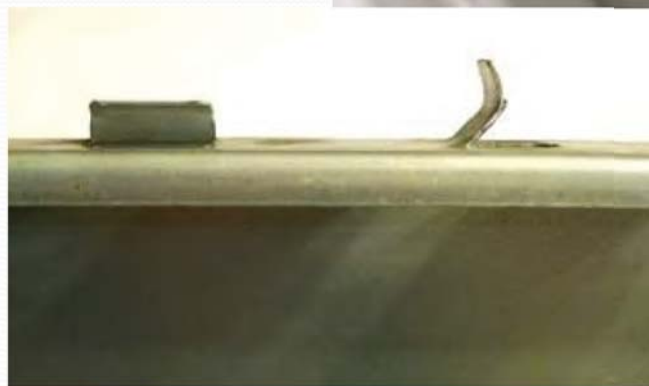


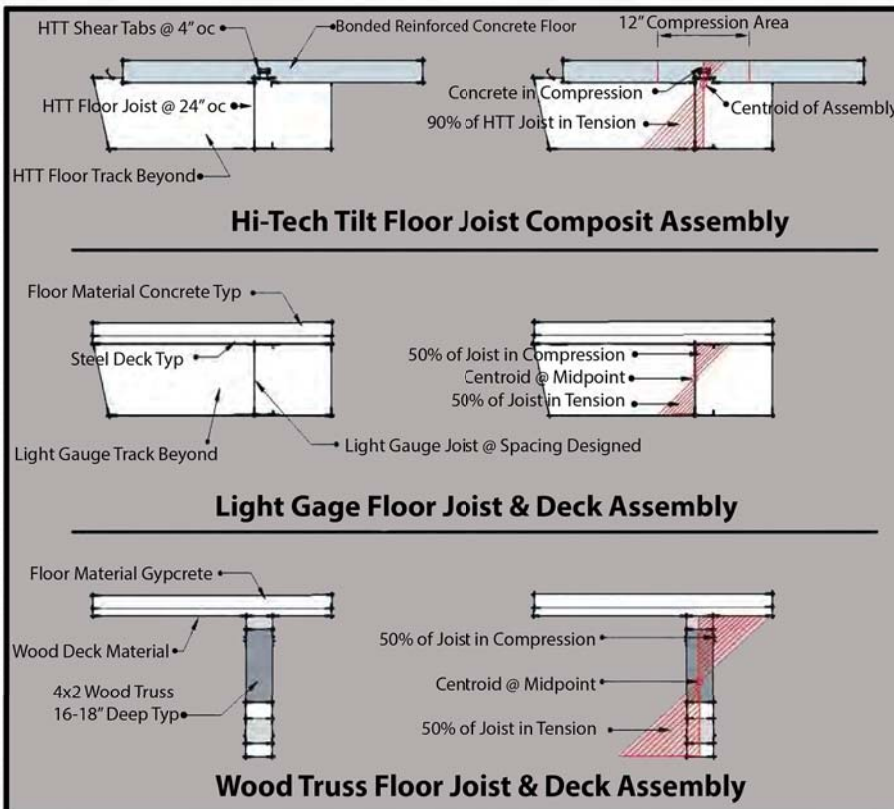
Structural Punched Metal Studs or Joists – the Key to the Technology



- The **Bi-Directional Shear Tabs** bond to the **concrete**
- **Composite Walls or Floors** are fabricated utilizing **bonded Concrete & Steel**
- **Synergy of the Composite** exceeds the performance of the individual components by **65%**



Engineered Composite HTT Floor System Stronger than Deck & Joist Assemblies



- HTT Composite Bonded Floor Joist and Concrete provides **65% greater structural efficiencies** at **24" o.c. spacing**

- HTT Floor Joists take advantage of the concrete to add strength to its members rather than just being dead load to non-composite joists or trusses @ closer spacing

- **65% increase for HTT Floors in Strength & Stiffness** as compared to non-composite floor systems

